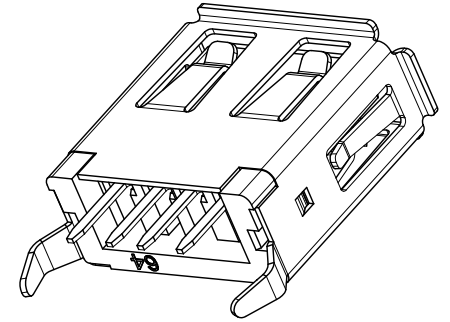
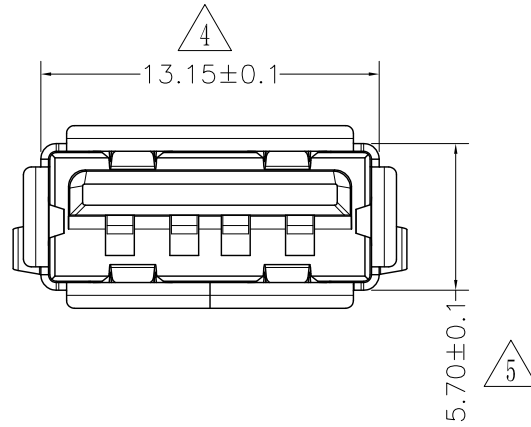
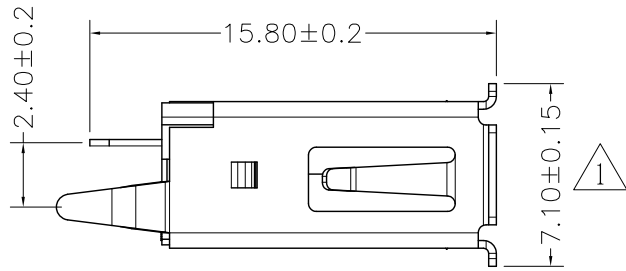


REV.	DESCRIPTION	DATE
A	RELEASE	2012.7.20



特性: Specifications:
 电气: Electrical:
 接触阻抗: Contact Resistance
 30 milliohms MAX

耐电压: Dielectric Withstanding Voltage:
 500 V AC AT Sea Level

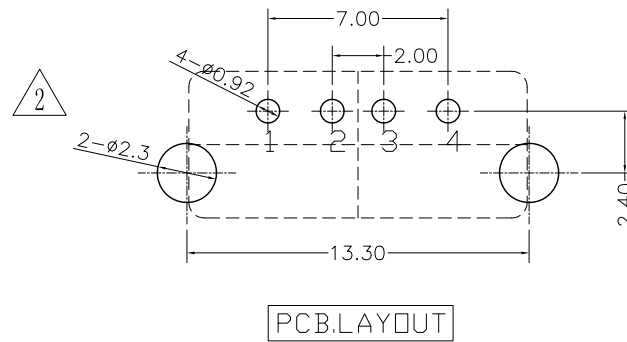
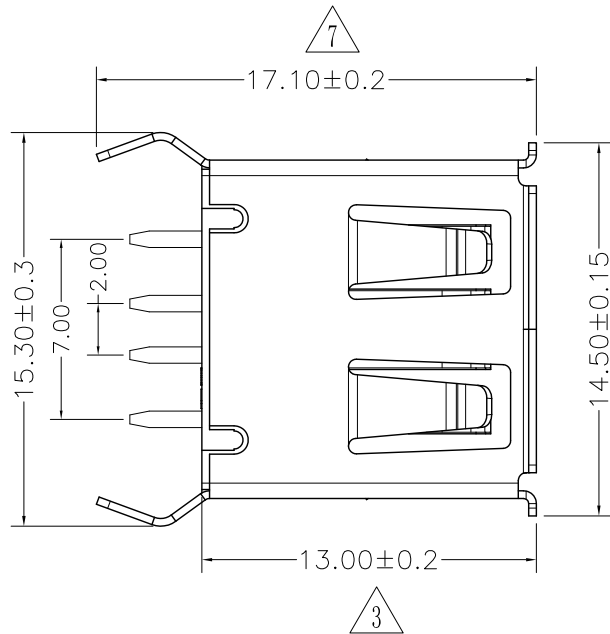
绝缘阻抗: Insulation Resistance:
 1000 MEGA ohms MIN

材料: Material

1. 塑料: PBT UL 94V-0
2. 端子: Contact Copper Alloy C2680H
3. 铜壳/铁壳: Shell: Copper Alloy

电镀: Finish

1. 端子: Contact: Plated Gold in Mating Area
Tin On Solder Tails
接触点镀金。脚镀锡
2. 铜壳/铁壳: Shell
Nickel plating 镀镍



PCB.LAYOUT

UNLESS TOLERANCE		DRAW BY	杨国祥	
GENERAL	ANGLE	DESIGN BY	袁刚	
X. ± 0.30	X.* ± 3.0°	CHECK BY		
.X ± 0.20	.X* ± 2.0°	APPROVE BY		
.XX ± 0.15	.XX* ± 1.0°			ITEM :
.XXX ± 0.08	.XXX* ± 0.5°			USB AF 180 直插 (短体13.0)
		SCALE	SHEET	UNIT
		1:1	1/1	MM
			DRW NO:	REV: A